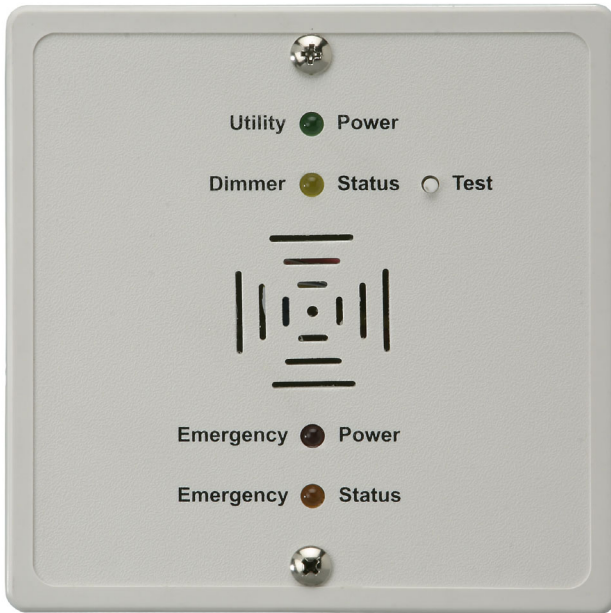


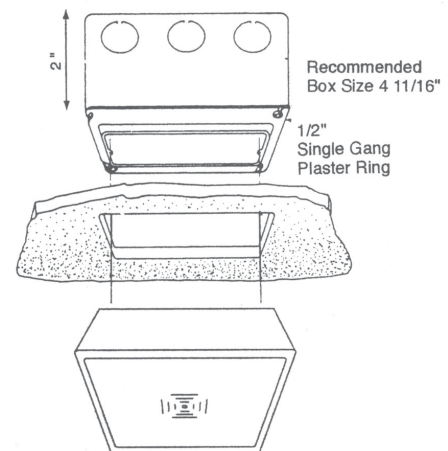
Emergency Power Control

for Dimmable Loads



The Automatic Emergency Power Control device is designed to be installed as a wiring device in the area with dimmable lights or in a central location.

The EPC-D is a single zone silent operating control device. It is both versatile and cost effective and is designed for dimmable lights in public places where light levels must be maintained at 1 foot candle during the loss of normal power. The device will sense the loss of power and will transfer the load to an available emergency source within 1.5 seconds. When normal power is restored, the EPC-D will transfer the load back within 1.5 seconds. Any interruption of normal power will automatically transfer designated lights to full bright regardless whether system is turned on or off.

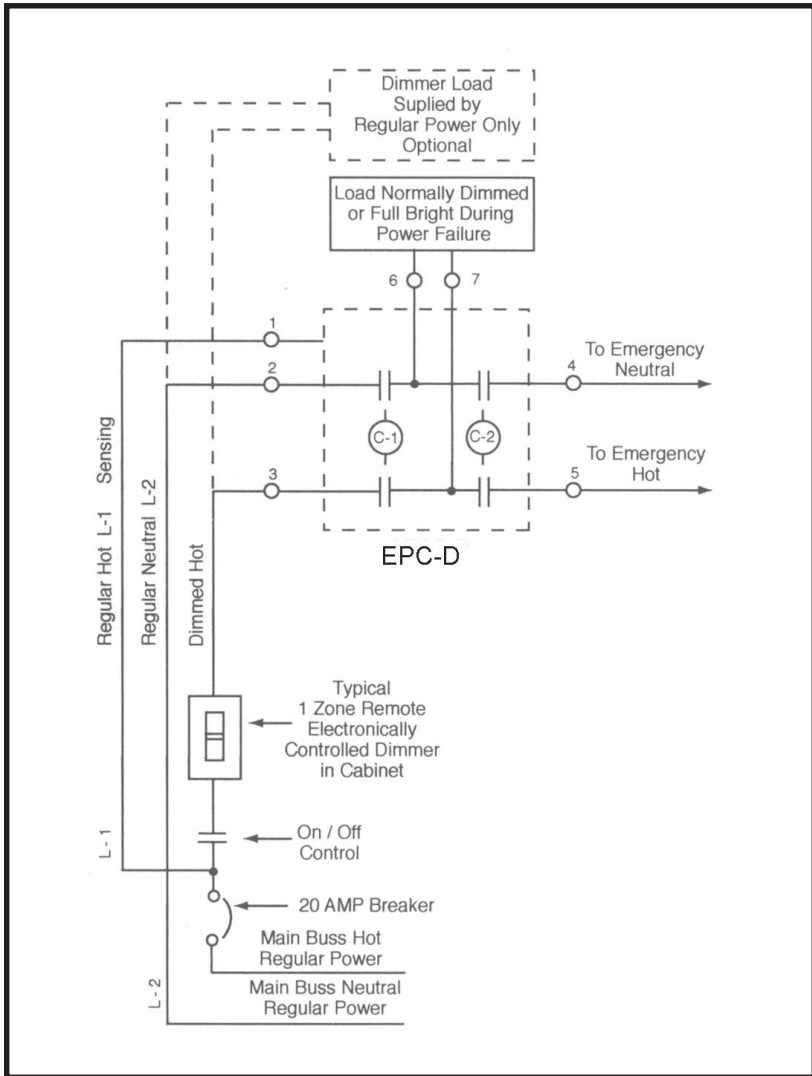


Applications:

- Any facility with dimmable emergency lighting.
- Classrooms, offices, ballrooms and meeting rooms.

Features and Benefits:

- Silent operation
- Visible emergency power LED, regular power LED, emergency status and dimmer status LED
- Cost effective solution to NEC/NFPA requirements for emergency lighting
- All components are protected with surge protectors
- Convenient-to-operate test switch
- Fast to install
- Available for ceiling or wall installation



Catalog Numbering:

- EPC-D-120 120V
- EPC-D-277 277V
- 20A ballast, 1800W tungsten
- Size: 5" x 5" x 2"
- Color: White
- Weight: 0.75 lb
- Temp rating: 32° - 140°
- Unit Current: 0.15 Amp

Modular Panel Enclosures also available.

Specifications:

Provide one Emergency Power Control for control of each dimmable emergency lighting circuit as indicated on plans. The device shall be listed by Underwriters Laboratories under the UL 924 standard designated emergency light fixture controls. It shall meet and exceed all NEC articles 700 through 700-26, 701-717, 702-709, 705-750 wherever applicable, in addition to NFPA 1104-2.4.1, OSHA and life safety codes. The device shall be rated for 1800 watts of emergency load. The device shall be the EPC-D series Emergency Power Control for Dimmable Loads as provided by Entertainment Networks (800-706-4020).