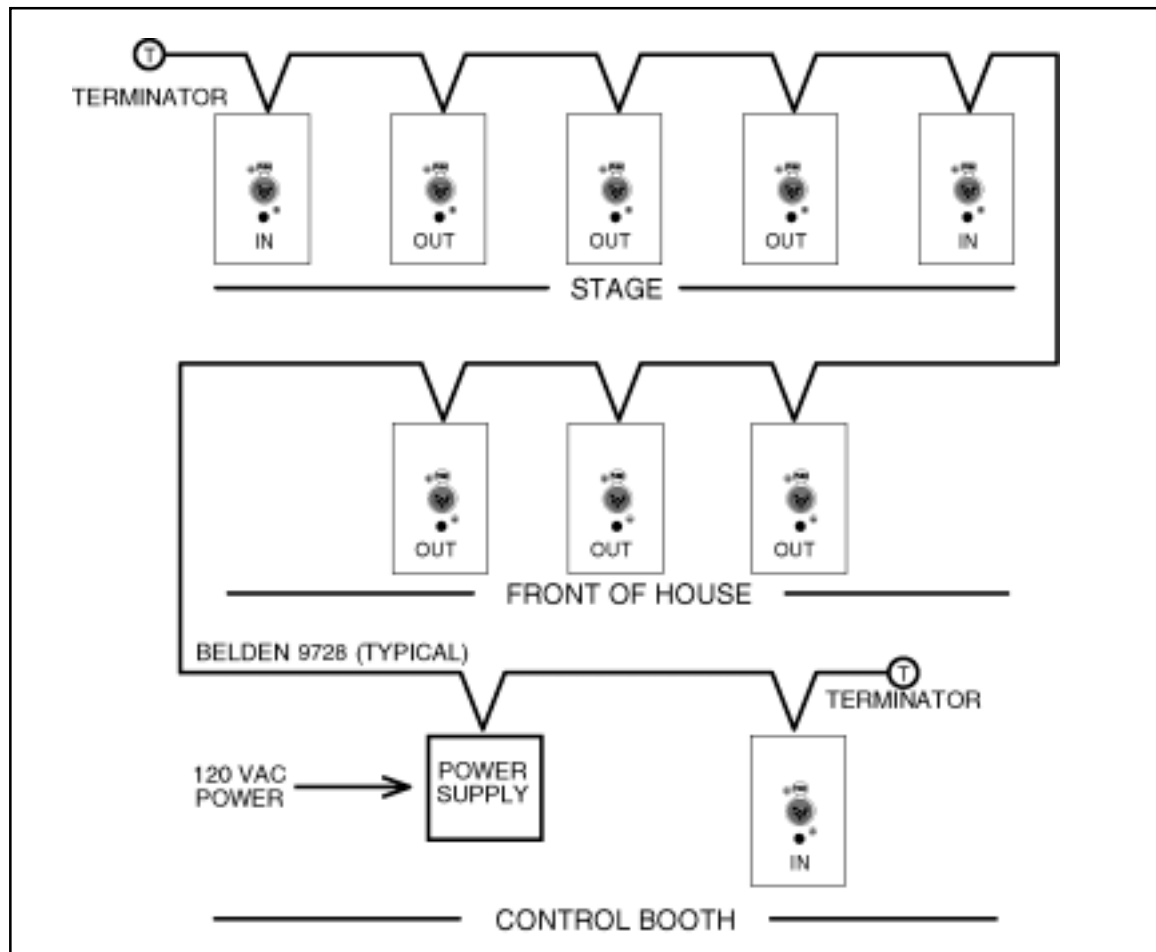




The Entertainment Networks EN-NetTM DMX512 distribution system is the most versatile and least restrictive DMX512 distribution system on the market today.

- EN-NetTM is optically isolated at every input and output, protecting the network and all devices on the network from damaging line voltage.
- EN-NetTM wiring is a simple Belden #9728 “daisy chain” between all devices and a power supply.
- EN-NetTM wiring topography is far less restrictive than traditional distribution methods. Costly home-run wiring is not required and the wiring topography allows “T” wiring schemes
- EN-NetTM requires far fewer field terminations than traditional distribution methods. In EN-NetTM systems, no patch panel is required.
- Each EN-NetTM system provides a fully terminated RS-485 network. Each outlet supports up to 32 DMX512 devices.
- EN-NetTM is field proven. Entertainment Networks has provided hundreds of units that are in the field operating successfully.



The EN-Net™ system operates by actively optically isolating the DMX512 signal. EN-Net™ can establish input priorities over multiple DMX512 inputs. For instance, with traditional DMX512 distribution methods, when multiple consoles are plugged into a network, data collisions can result. With EN-Net™ a four-level hierarchy is established to lockout inputs with a lower priority.

EN-Net™ solutions include:

- Architectural control of DMX outputs (architectural control of moving lights, scrollers, dimmer packs, racks and sticks).
- Re-mapping of DMX512 data, providing the only true "DMX Room-Combine" on the market.
- Patching of channels into user friendly control tables.
- Merging and splitting systems.
- En-Net™ "Freeze" last-look hold feature to maintain output in case of input device failure.

As the need for DMX512 distribution systems continues to grow, so does the need for innovative solutions. Please consider Entertainment Networks for your DMX512 distribution needs.