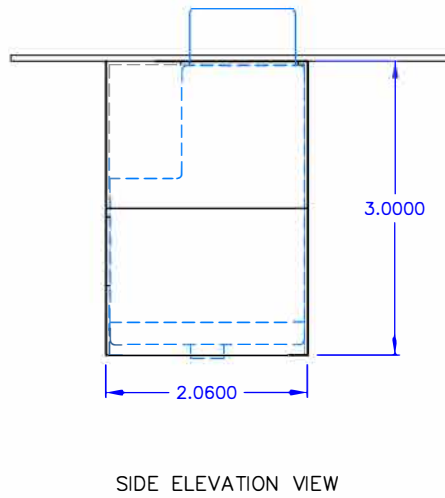
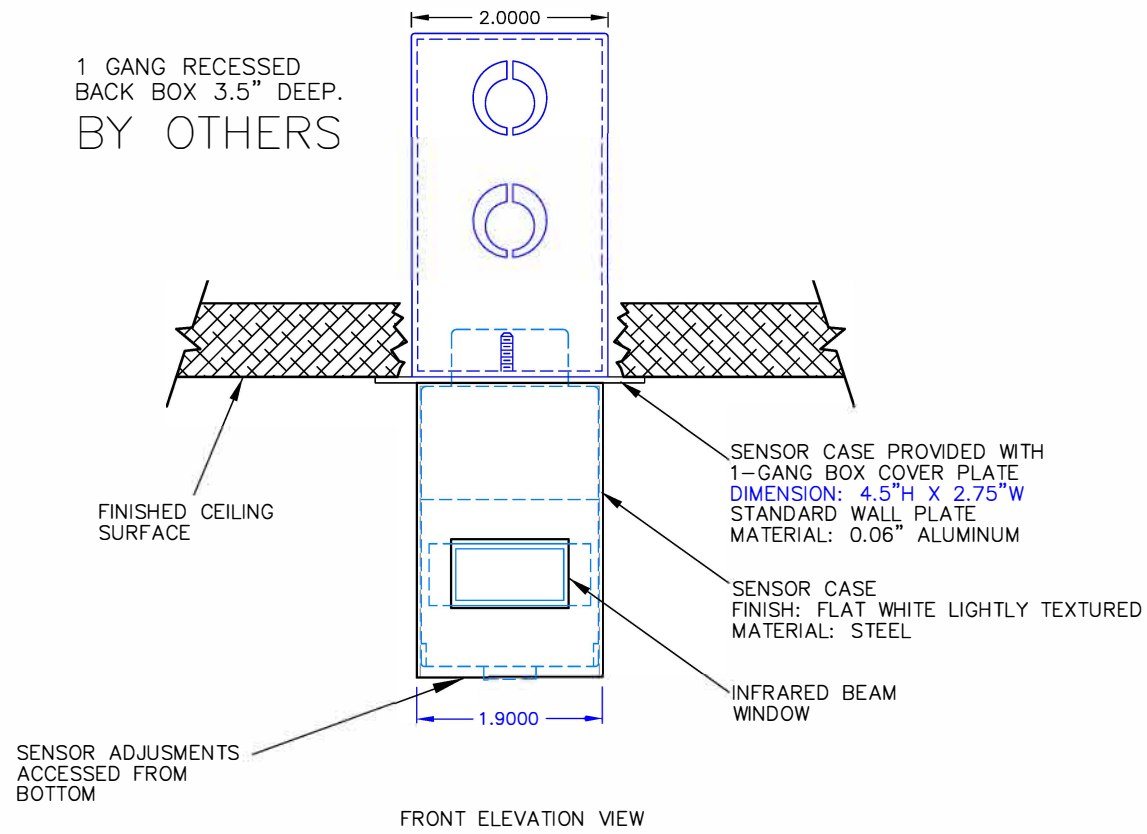
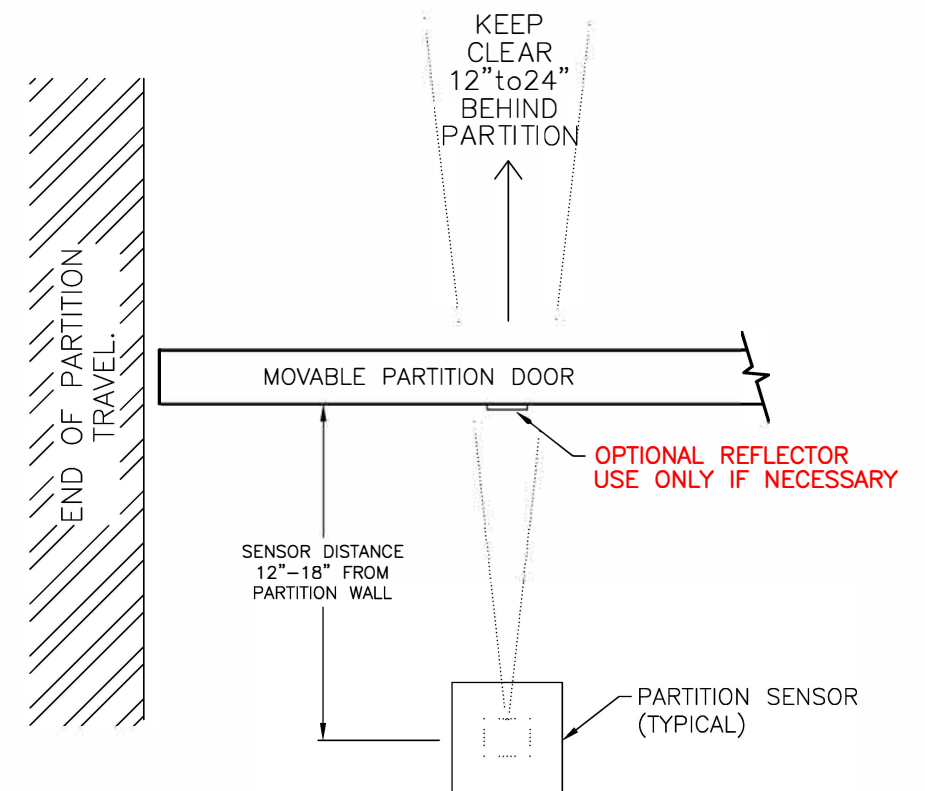


1 GANG RECESSED
BACK BOX 3.5" DEEP.
BY OTHERS

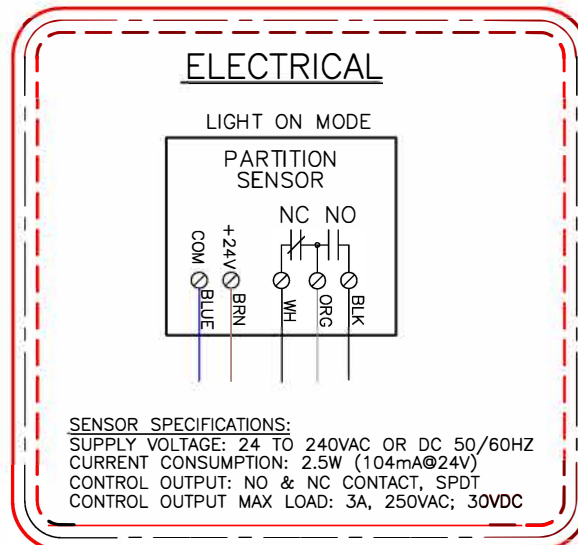
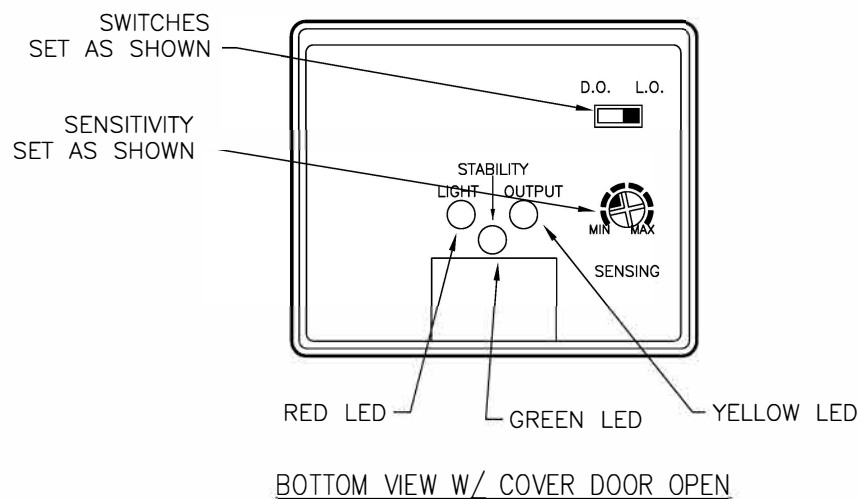


REGION IN PATH OF PHOTSENSOR 12"-24" BEHIND PARTITION MUST NOT CONTAIN ANY OBSTACLES THAT COULD REFLECT BEAM BACK TO SENSOR.



PARTITION SENSOR LAYOUT - PLAN VIEW

TO ADJUST THE SENSOR CORRECTLY PUT THE DOOR IN FRONT OF SENSOR. YOU WANT ALL THREE LED'S TO BE ON. IF THEY ARE NOT ALL ON TURN THE SENS ADJUST UNTIL THE GREEN LED JUST COMES ON AND NOW ALL THREE LED'S SHOULD BE ON. IF MAX SENS ADJUSTMENT IS ACHIEVED THEN THE DOOR'S SURFACE IS NOT REFLECTING ENOUGH FOR THE SENSOR TO PICK UP THE RETURNED LIGHT. USE OPTIONAL REFLECTOR IN THIS CASE.



QTY. REQ'D.: (1)

-SENSOR IR BEAM IS UNOBSTRUCTED, DOOR OPEN. CONTACT IS MADE BETWEEN WH & ORG WIRES.
-SENSOR IR BEAM IS OBSTRUCTED, DOOR IS CLOSED. CONTACT IS OPEN BETWEEN WH & ORG WIRES.

SENSOR MOUNTING NOTE:
SENSOR SHOULD BE POSITIONED NEAR THE END OF PARTITION TRAVEL AND AS FAR FROM PARTITION FACE AS IS REQUIRED TO PREVENT PARTITION PANEL FROM STRIKING SENSOR DURING PANEL MOVEMENT. THE SENSOR HOUSING POSITION IS REQUIRED AT A RIGHT ANGLE FROM PARTITION DOOR PANEL. IF THIS DISTANCE EXCEEDS 18" THE REFLECTOR MUST BE INSTALLED ON THE PARTITION DOOR PANEL.

DATE	REV	BY	DESCRIPTION